



POLAND

**CX**®

**ST HOUSING**

740 (ID 65 575)

CX POLAND

CX POLAND

224

224

# CX POLAND

**For nearly 30 years, CX Poland has been a leading force in bearings. Our extensive product range caters to diverse industries, with a strong focus on the agricultural sector.**

The CX catalog is known for its unmatched quality and has become a standard for professionals in the industry. We serve both small-scale farmers and large agribusinesses.

Our offer is directed to conscious customers who value a good quality price ratio of products. Our market expertise allows us to curate an offer perfectly tailored to your agricultural needs. All CX products are rigorously tested in internal and external labs to ensure reliability. We are constantly monitoring industry trends and actively integrate customer feedback. We listen to market needs, actively research trends, and implement customer feedback. At CX Poland, we're dedicated to introducing the next level of quality your company deserves.

Our strong point is service. Our knowledgeable team provides expert advice and comprehensive after sales support to ensure your success. Let us help you choose the optimal products for you.

02

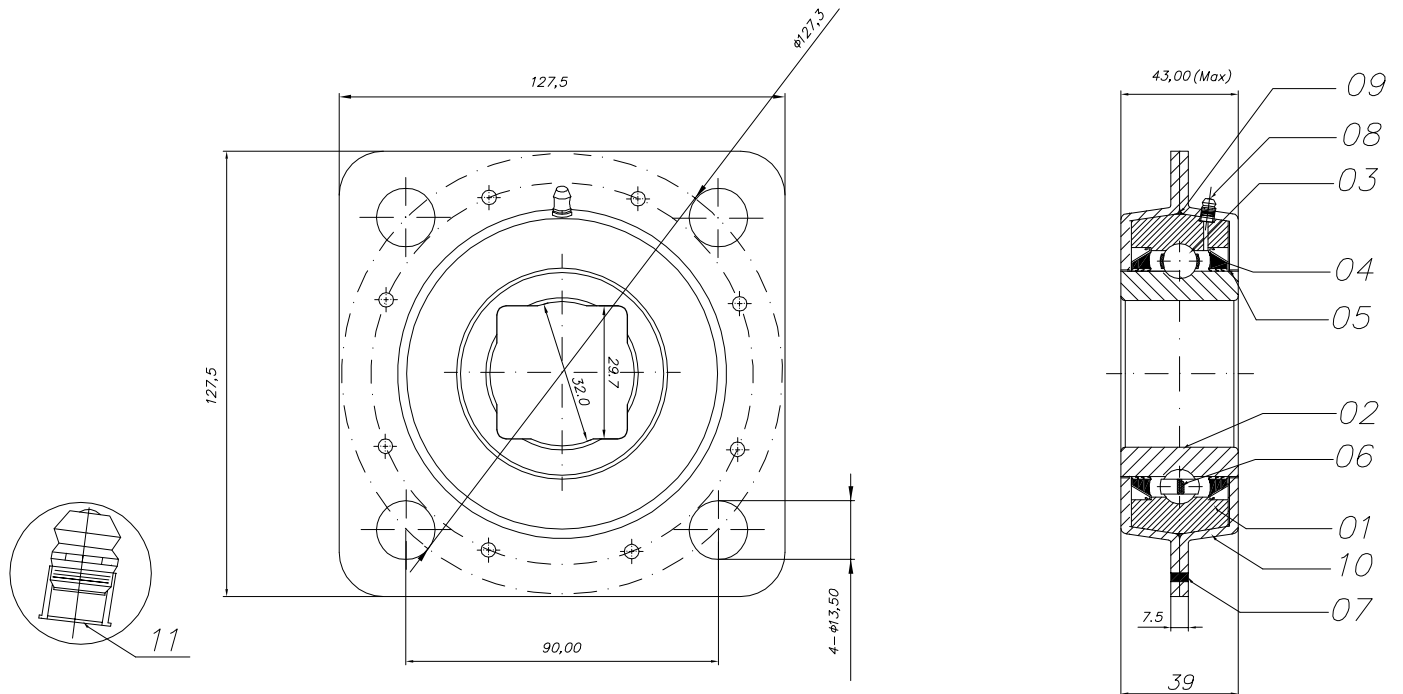


**CX POLAND is providing  
more and more solutions  
for agriculture.  
Stay tuned to maximize  
your productivity and  
profitability!**

03



# ST491A SQ29.5 PL CX POLAND

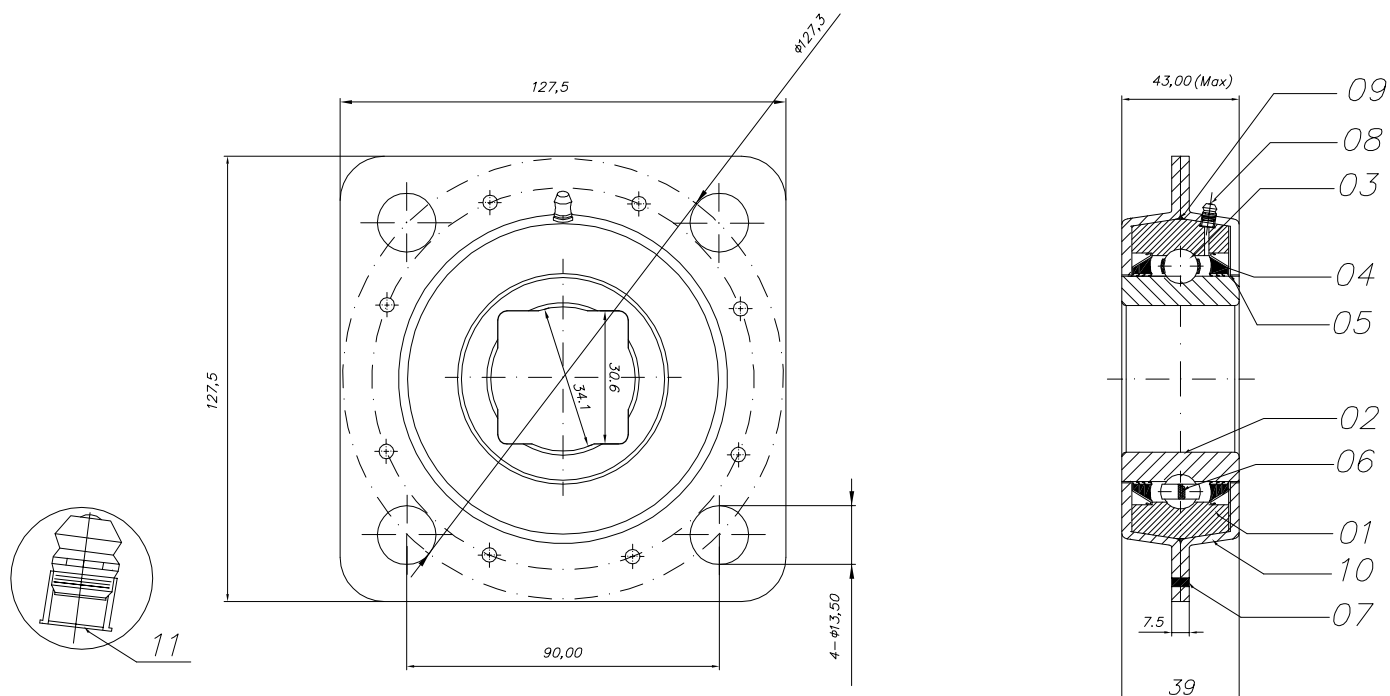


04

Shaft size	<b>29.7 mm</b>
Bore diameter	<b>32 mm</b>
Width inner ring	<b>39 mm</b>
Width outer ring	<b>43 mm</b>
Total length	<b>127.5 mm</b>
Round hole size	<b>13.5 mm</b>
Mass	<b>1.60 kg</b>



# ST491A SQ30.5 PL CX POLAND



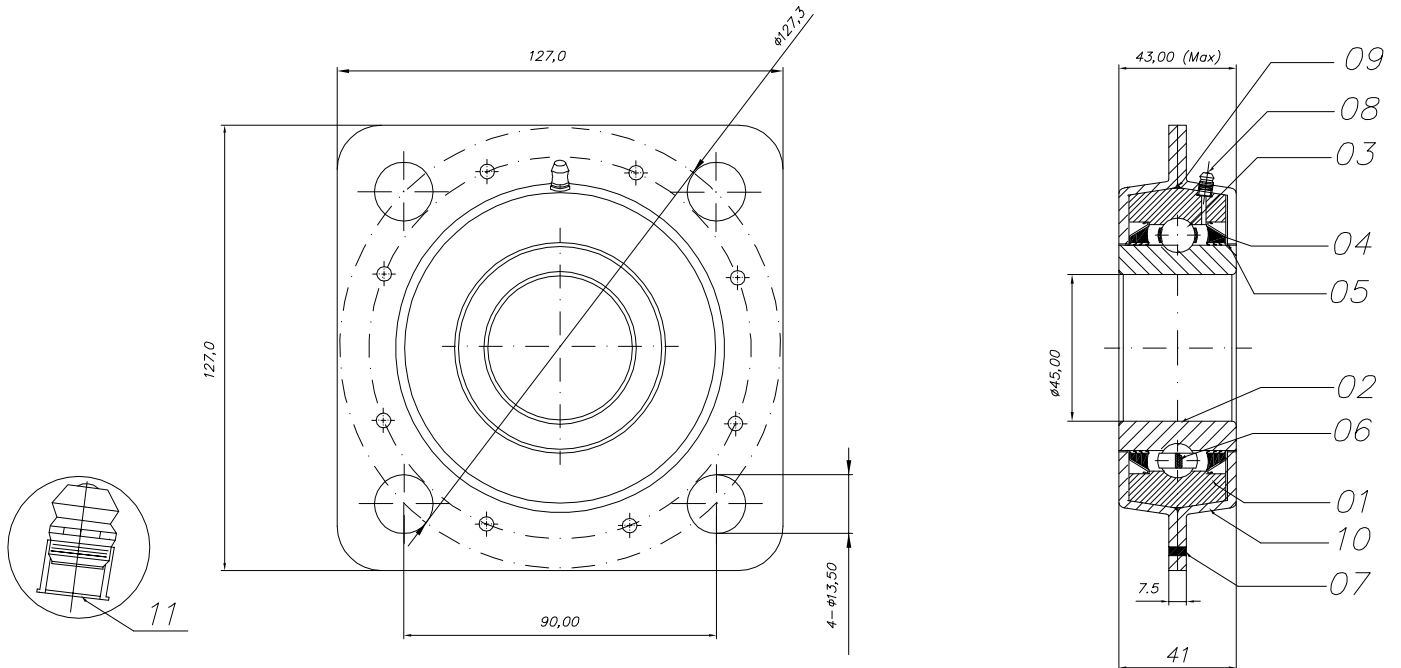
05



**30.6 mm**  
**34.1 mm**  
**39 mm**  
**43 mm**  
**127.5 mm**  
**13.5 mm**  
**1.68 kg**

Shaft size  
 Bore diameter  
 Width inner ring  
 Width outer ring  
 Total length  
 Round hole size  
 Mass

# ST491A PL CX POLAND

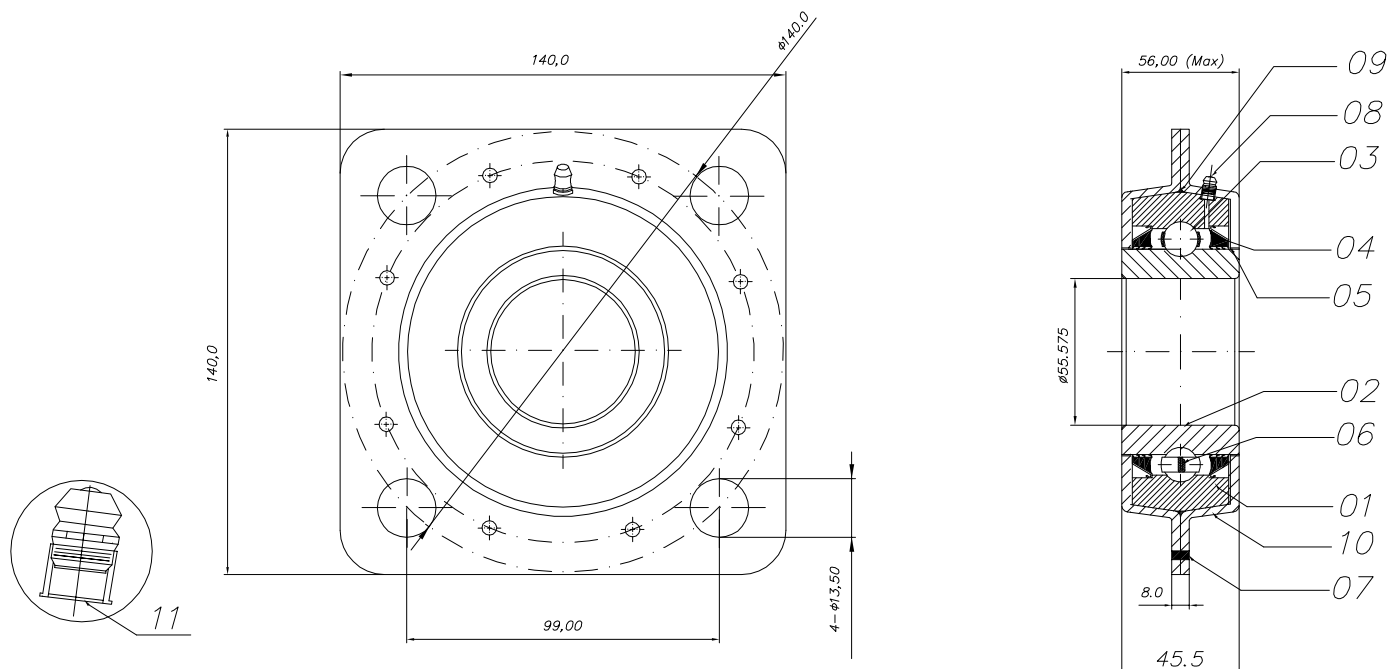


06

Bore diameter	<b>45 mm</b>
Width inner ring	<b>41 mm</b>
Width outer ring	<b>43 mm</b>
Total length	<b>127 mm</b>
Round hole size	<b>13.5 mm</b>
Mass	<b>1.45 kg</b>



# ST740 PL CX POLAND



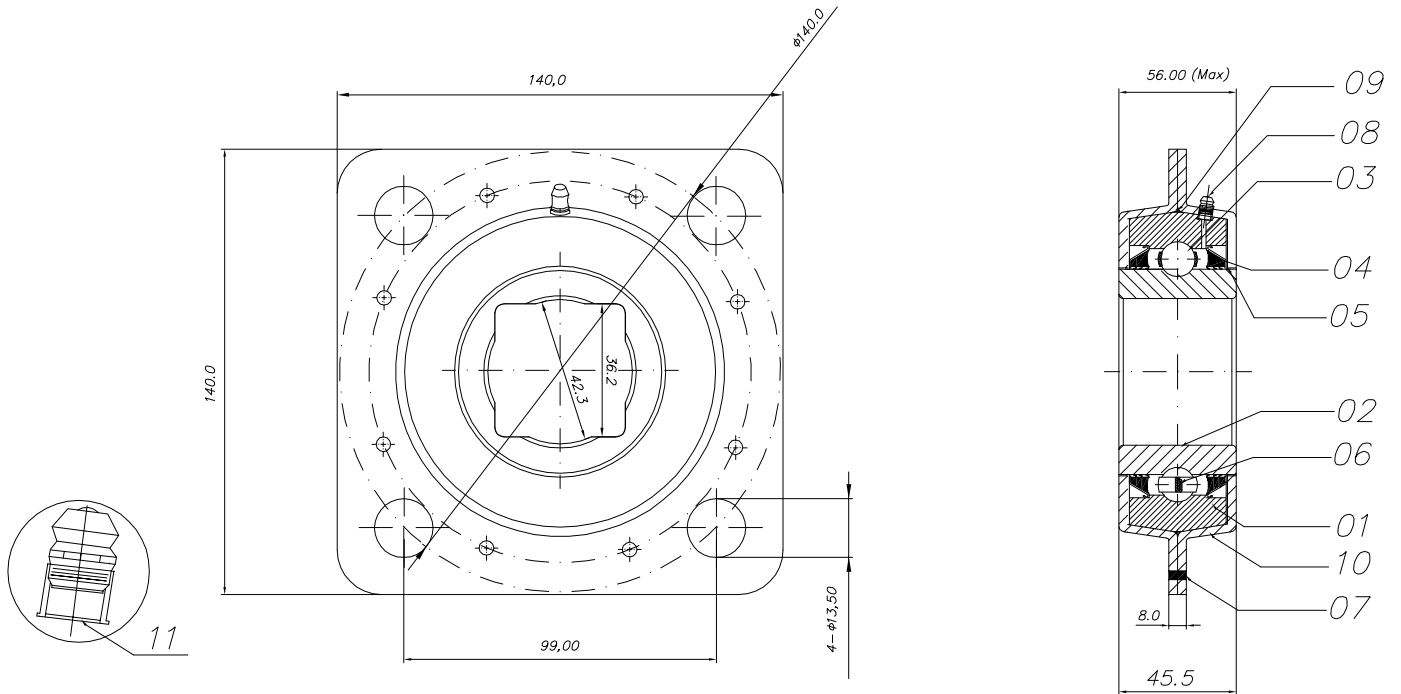
07



55 mm  
45.5 mm  
56 mm  
140 mm  
13.5 mm  
2.1 kg

Bore diameter  
Width inner ring  
Width outer ring  
Total length  
Round hole size  
Mass

# ST740 SQ36.1 PL CX POLAND

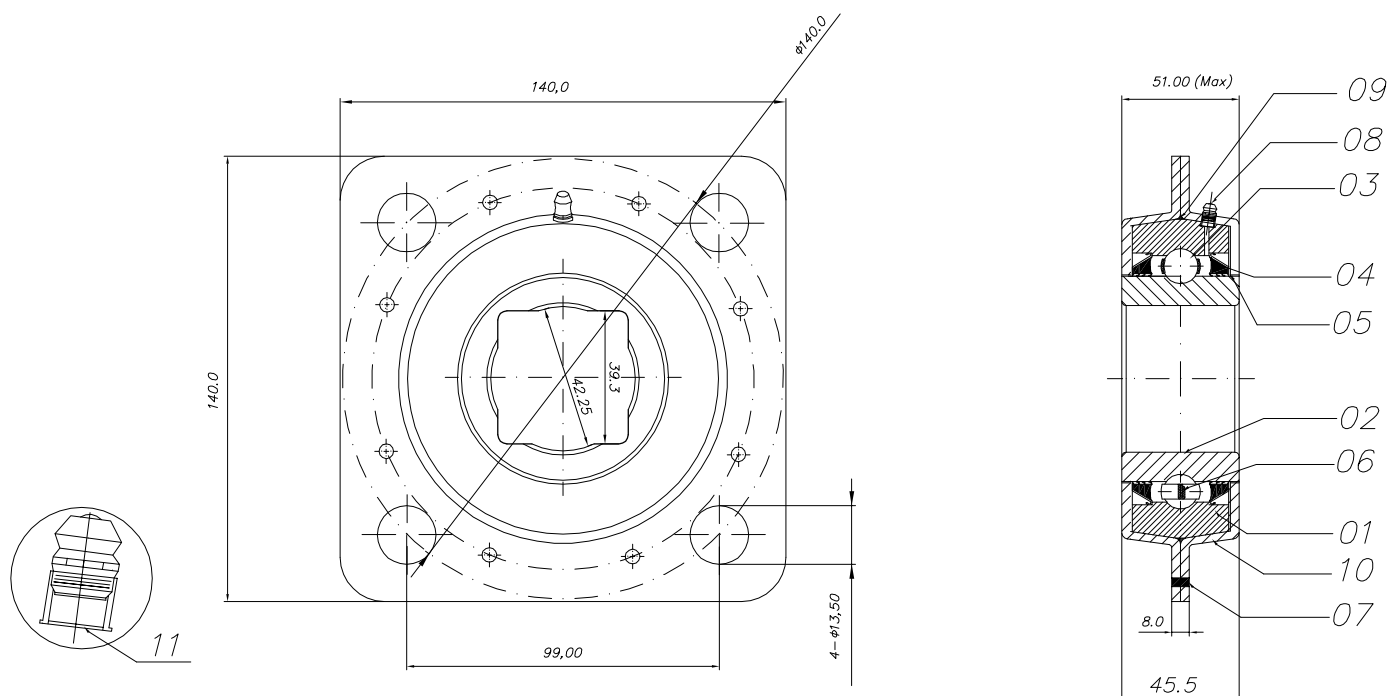


08

Shaft size	<b>36.2 mm</b>
Bore diameter	<b>42.3 mm</b>
Width inner ring	<b>45.5 mm</b>
Width outer ring	<b>56 mm</b>
Total length	<b>140 mm</b>
Round hole size	<b>13.5 mm</b>
Mass	<b>2.5 kg</b>



# ST740 SQ39.25 PL CX POLAND



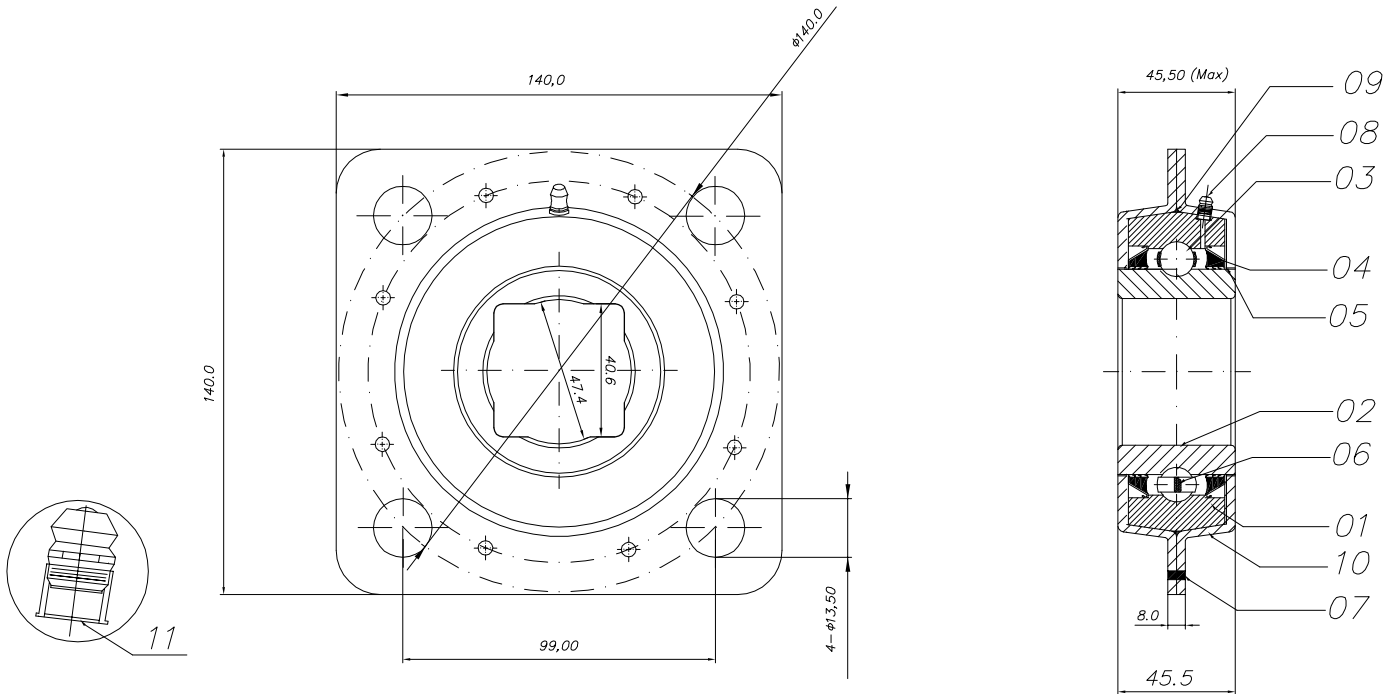
09



**39.3 mm**  
**42.25 mm**  
**45.5 mm**  
**51 mm**  
**140 mm**  
**13.5 mm**  
**2.3 kg**

Shaft size  
 Bore diameter  
 Width inner ring  
 Width outer ring  
 Total length  
 Round hole size  
 Mass

# ST740 SQ40.5 PL CX POLAND



Shaft size	<b>40.6 mm</b>
Bore diameter	<b>47.4 mm</b>
Width inner ring	<b>45.5 mm</b>
Width outer ring	<b>45.5 mm</b>
Total length	<b>140 mm</b>
Round hole size	<b>13.5 mm</b>
Mass	<b>2.2 kg</b>

